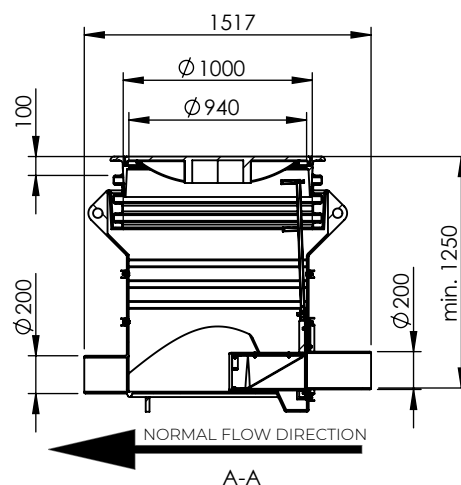
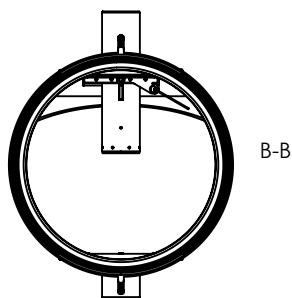
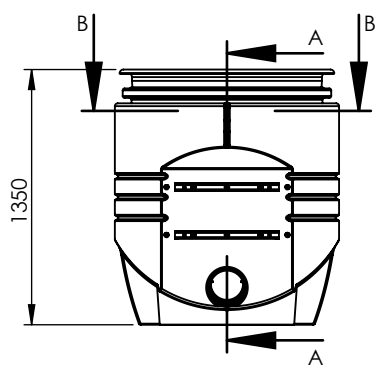
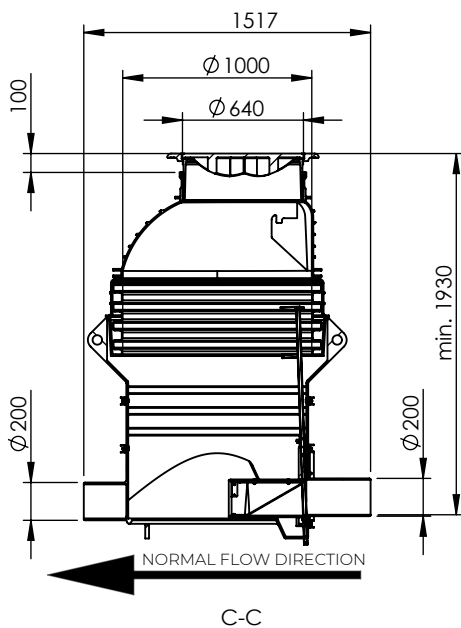
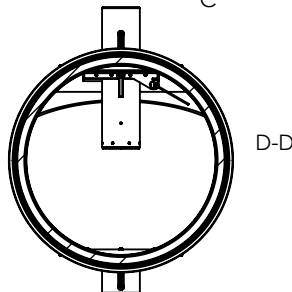
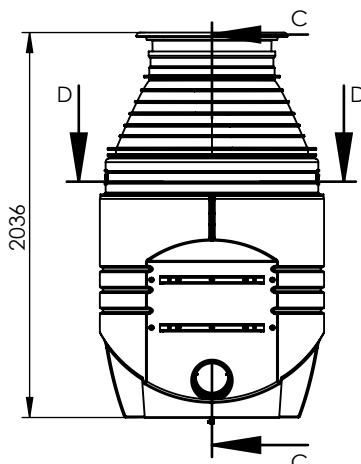


Rev	Note	CreatedBy	Appr.By	Appr.Date
A	Initial release	FG	PW	2021-03-10



**Option 1:**

- DN1000 Corrugated pipe with cover (not included in base price)
- min. invert level - ground level 1250mm



**Option 2:**

- DN1000 Corrugated pipe with cone and cover (not included in base price)
- min. invert level - ground level 1930mm

© 2018 Wapro AB. This document is subject to copyrights owned by Wapro AB. Any amendments, republication, retransmission, and/or reproduction of all or any part of the document is expressly prohibited, unless the copyright owner of the material has expressly granted its prior written consent. All other rights are reserved.

Designed By FG	Approved By	Created Date 2021-03-09	Units [mm]	General Tolerance SS-ISO 2768-1 m	Scale 1:40	
Material PE, PVC, EN1.4301, MVQ			Project			
Weight [kg] 362.8	Box Volume [m³]		Description WaStop Access Large DN200			
 www.wapro.com			Corrugated pipe with cover alt. corrugated pipe with cone			
			Article Number WS200-WA1000-S	Drawing Number ws200-wa1000_en	Rev A	Sheet 1 (1)