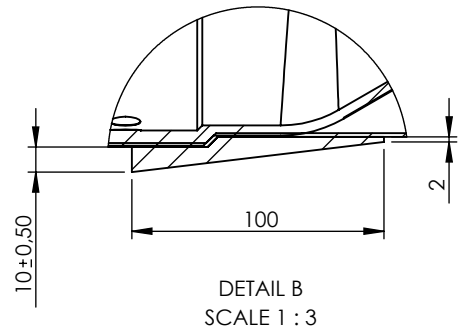
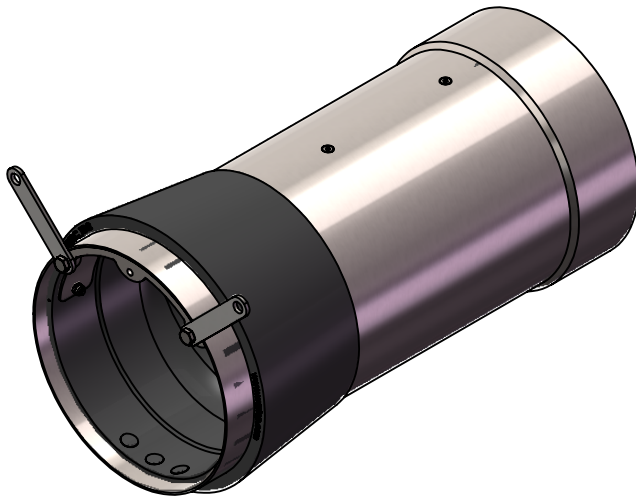
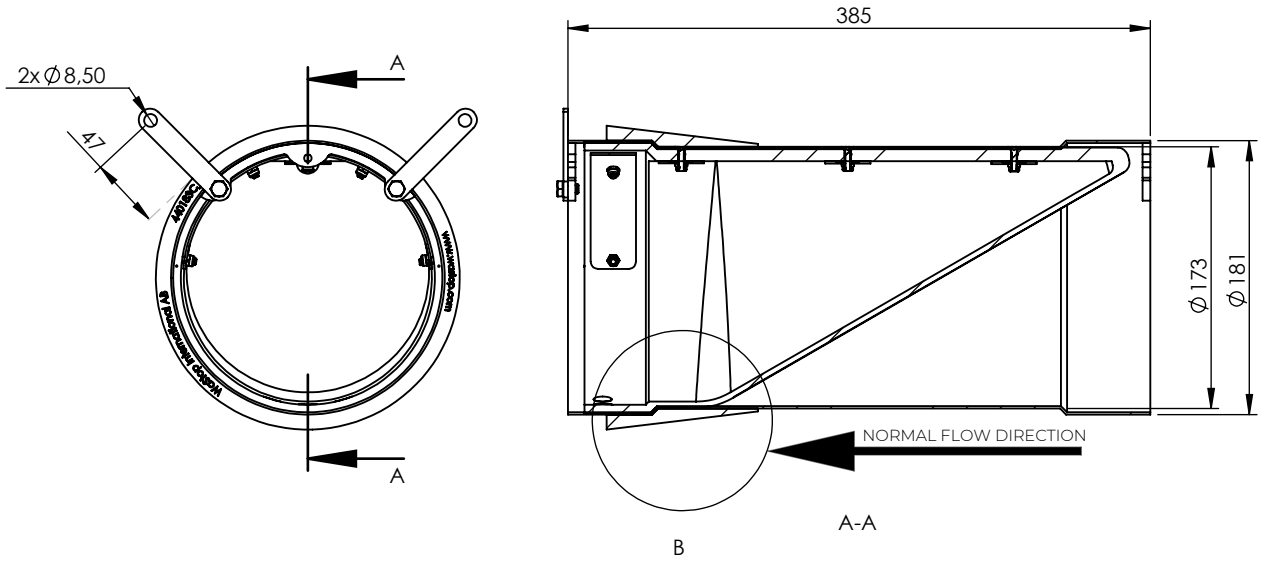


NOT FOR PRODUCTION

© 2018 Wapro AB. This document is subject to copyrights owned by Wapro AB. Any amendments, republication, retransmission, and/or reproduction of all or any part of the document is expressly prohibited, unless the copyright owner of the material has expressly granted its prior written consent. All other rights are reserved.

Rev	Note	CreatedBy	Appr.By	Appr.Date
A	Initial release	PW	FG	2020-09-29



Designed By PM	Approved By MP	Created Date 2015-08-14	Units [mm]	General Tolerance ISO 13920A	Scale 1:5	
Material EN 1.4404			Project			
Weight [kg] 3.85	Box Volume [m³] 0,02		Description WaStop DN200			
 www.wapro.com			Article Number WS183-S	Drawing Number ws183-s-en	Rev A	Sheet 1 (1)